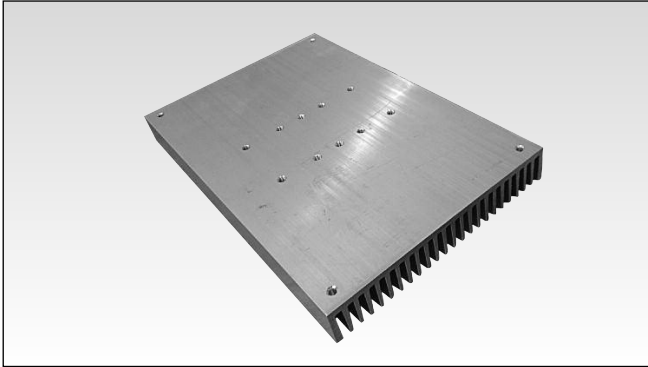


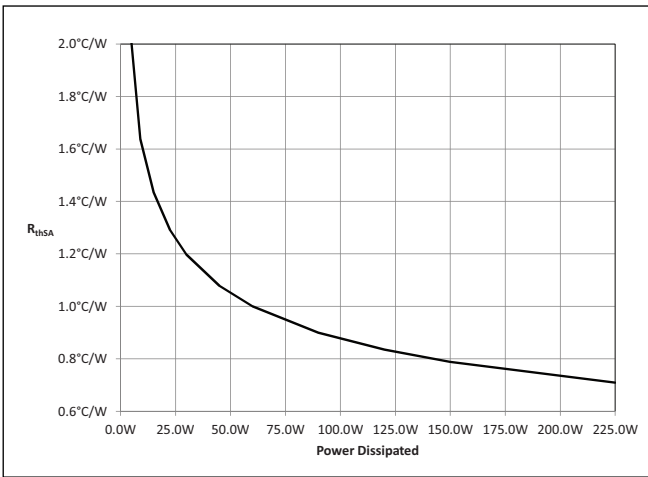
# Solid State Relays Accessories, Heatsinks Type RHS16225LD

CARLO GAVAZZI



- 0.84 °C/W thermal resistance
- Suitable for mounting of 1-phase or 3-phase SSRs
- Thru wall or panel mounting
- Dimensions W x H x D: 162 x 250 x 25 mm
- RoHS compliant

## Thermal Resistance Curve



## Ordering Key

**RHS16225LD**

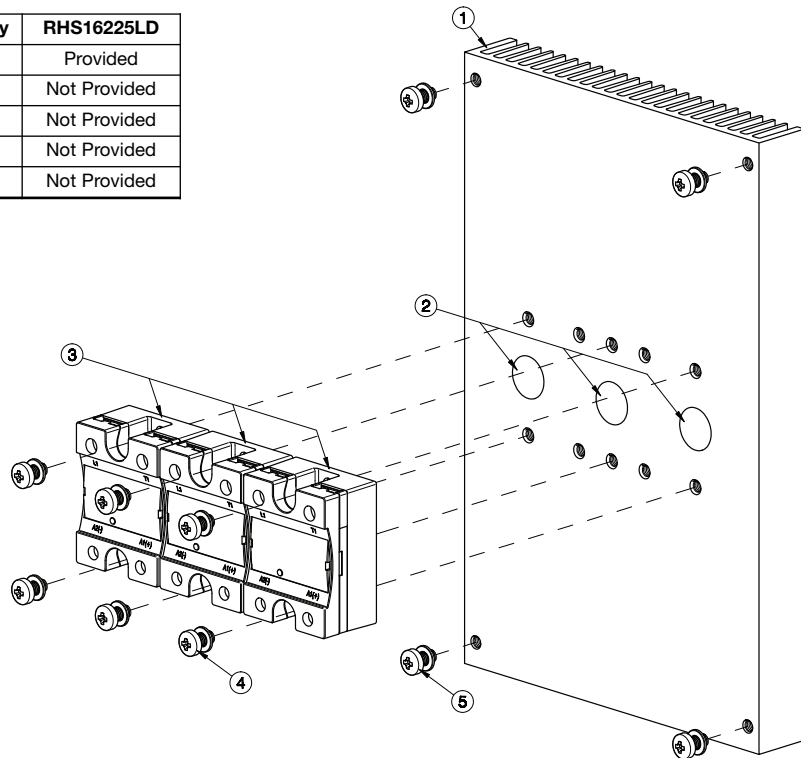
## Product Description

Heatsink assembly suitable for mounting of maximum 3x 1-phase solid state relays (SSRs) or 1x 3-phase SSR.

Suffix H55L added to SSR part no. refers to factory mounted heatsink. Conditions apply. Please ask your Sales representative for further details.

## Heatsink Assembly

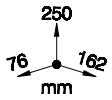
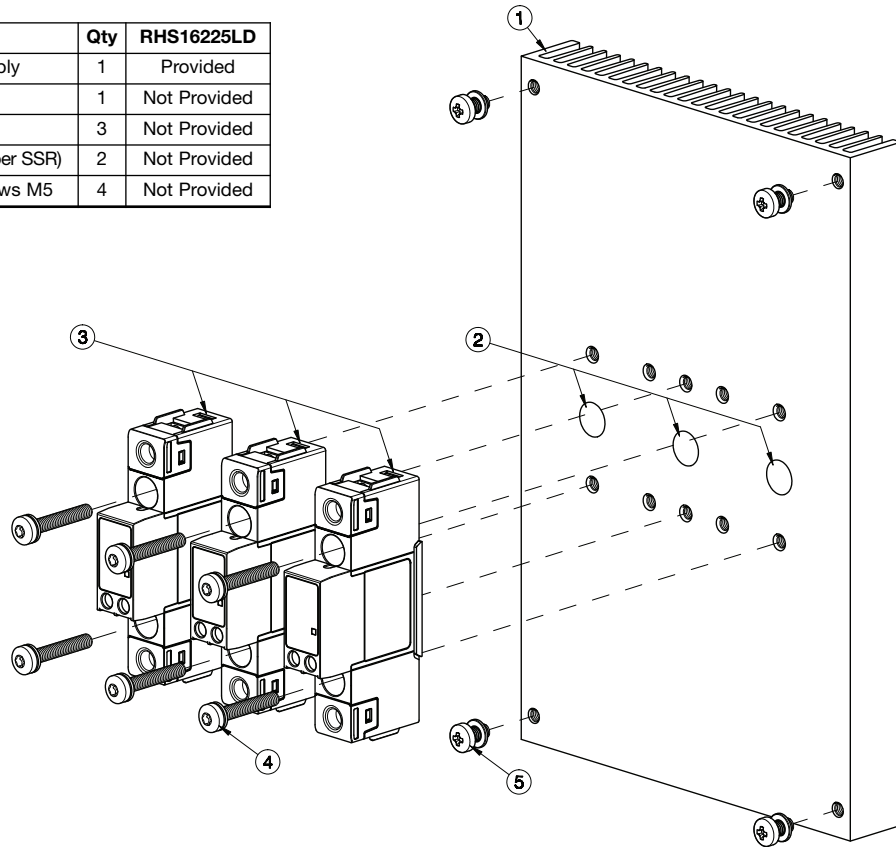
Components for assembly		Qty	RHS16225LD
1	RHS16225LD Heatsink Assembly	1	Provided
2	Thermal Compound or Pad	1	Not Provided
3	1-phase SSR 45x59mm (max.)	3	Not Provided
4	M5x10mm PZ2 + Washer (per SSR)	2	Not Provided
5	Thru Wall Panel Mounting Screws M5	4	Not Provided



Dimensions including the SSR

# Heatsink Assembly

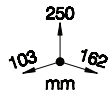
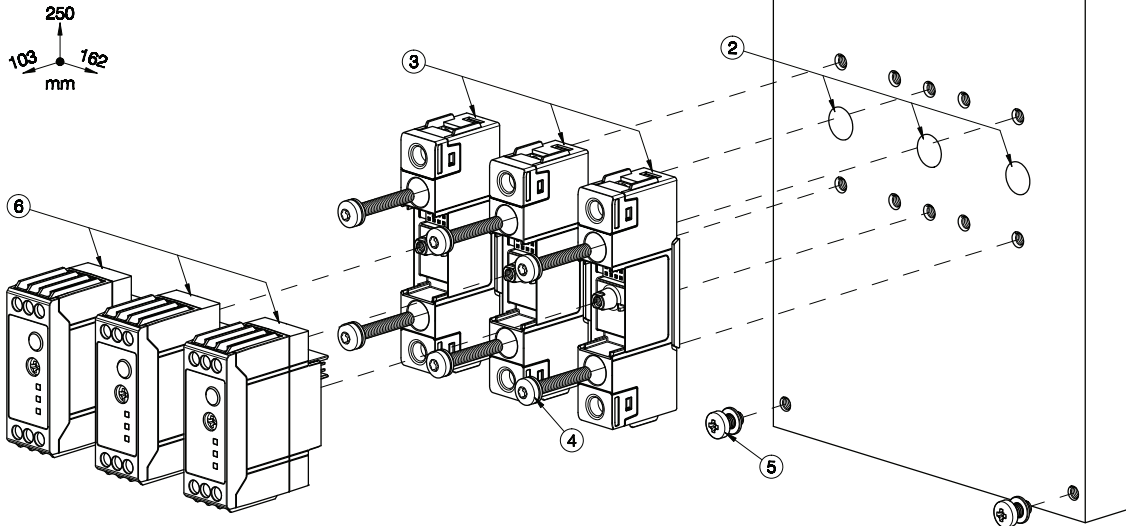
Components for assembly		Qty	RHS16225LD
1	RHS16225LD Heatsink Assembly	1	Provided
2	Thermal Compound or Pad	1	Not Provided
3	RGS1 SSR 18x90mm (max.)	3	Not Provided
4	M5x30mm Torx T20 + Washer (per SSR)	2	Not Provided
5	Thru wall Panel Mounting Screws M5	4	Not Provided



Dimensions including the SSR

Components for assembly		Qty	RHS16225LD
1	RHS16225LD Heatsink Assembly	1	Provided
2	Thermal Compound or Pad	1	Not Provided
3	RGS1 Power Module 18x90mm (max.)	3	Not Provided
4	M5x30mm Torx T20 + Washer (per SSR)	2	Not Provided
5	Thru wall Panel Mounting Screws M5	4	Not Provided
6	RGS1S Control Module 22.5x65mm (max.)	3	Not Provided

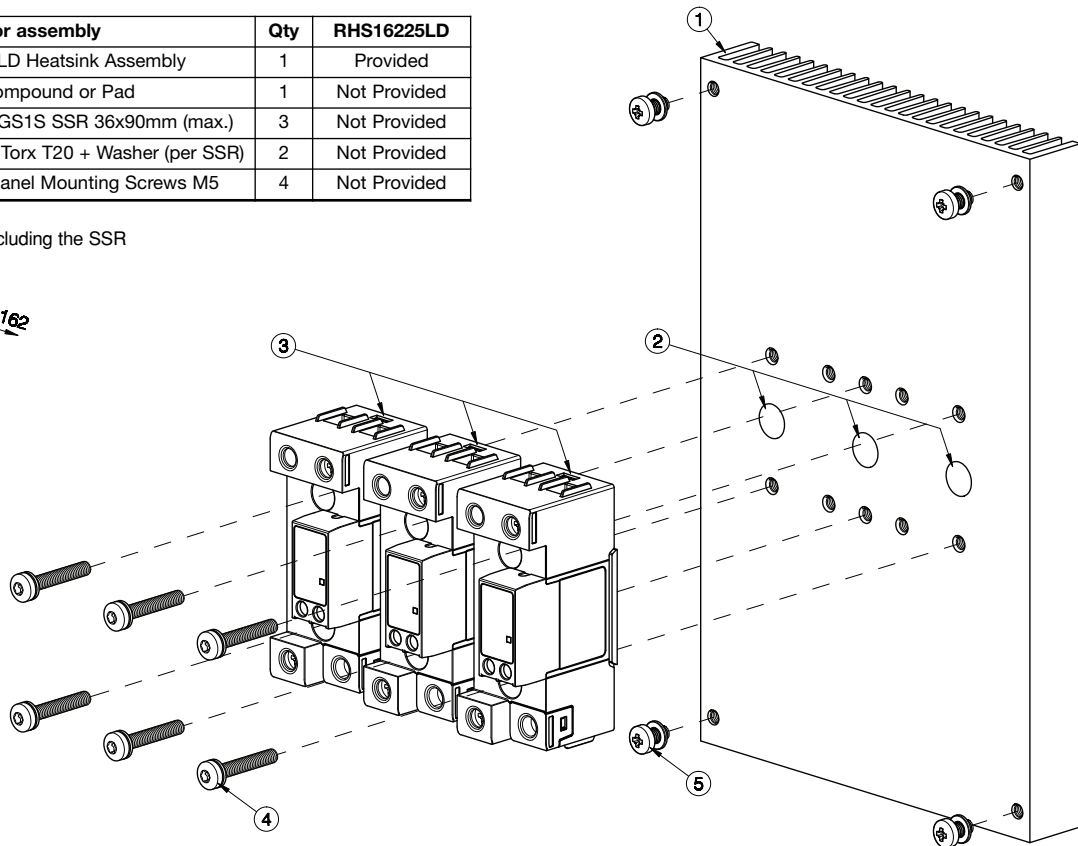
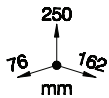
Dimensions including the SSR



# Heatsink Assembly

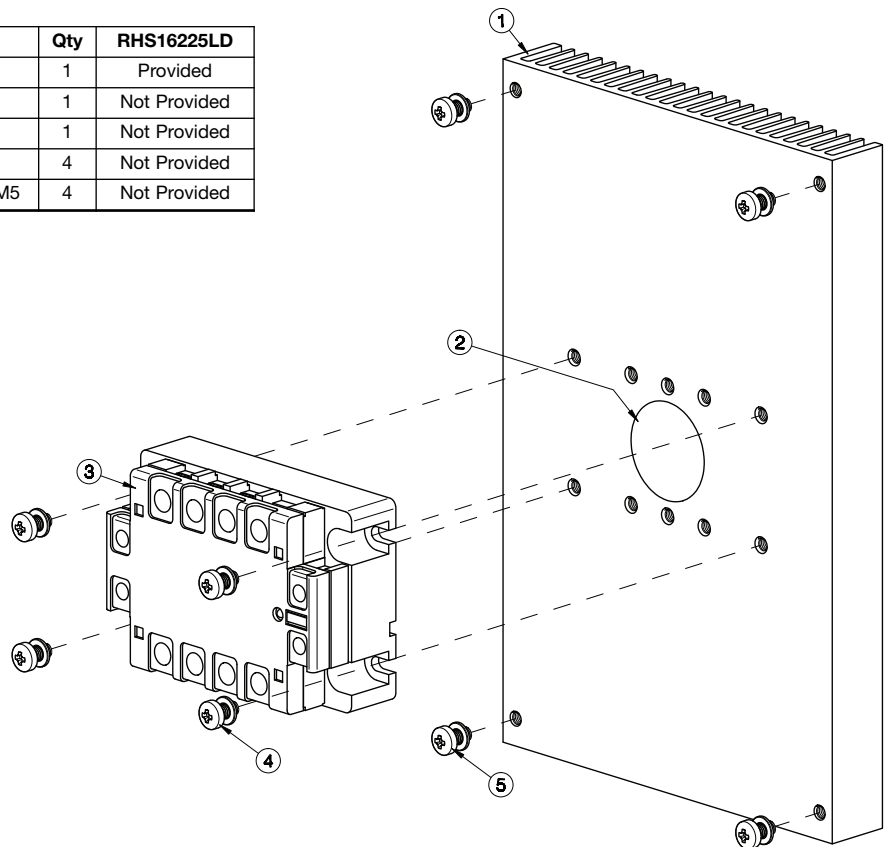
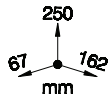
Components for assembly		Qty	RHS16225LD
1	RHS16225LD Heatsink Assembly	1	Provided
2	Thermal Compound or Pad	1	Not Provided
3	RGS1 or RGS1S SSR 36x90mm (max.)	3	Not Provided
4	M5x30mm Torx T20 + Washer (per SSR)	2	Not Provided
5	Thru wall Panel Mounting Screws M5	4	Not Provided

Dimensions including the SSR



Components for assembly		Qty	RHS16225LD
1	RHS16225LD Heatsink Assembly	1	Provided
2	Thermal Compound or Pad	1	Not Provided
3	3-phase SSR 104 x 74mm	1	Not Provided
4	M5x10mm PZ2 + Washer	4	Not Provided
5	Thru wall Panel Mounting Screws M5	4	Not Provided

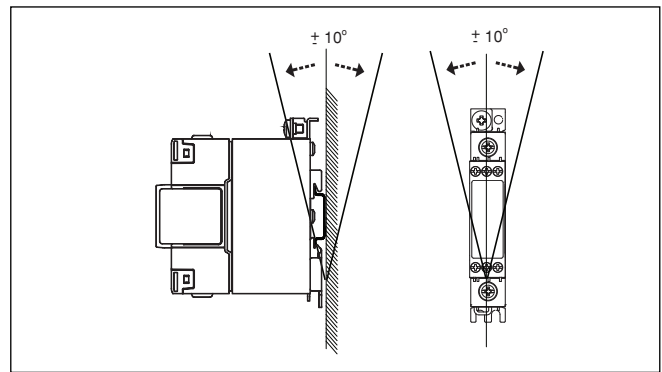
Dimensions including the SSR



## General Specifications

SSR max. mounting torque	1.5Nm (13.3 lb-in)
Weight (excl. SSR)	approx. 1290g
Material	Aluminium
Finish	Silver anodization
Fan mounting	Not possible

## Mounting Position



## Installation

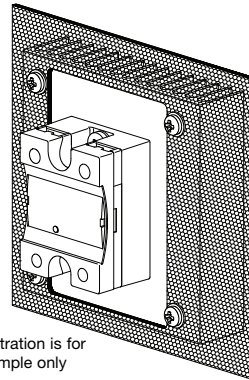
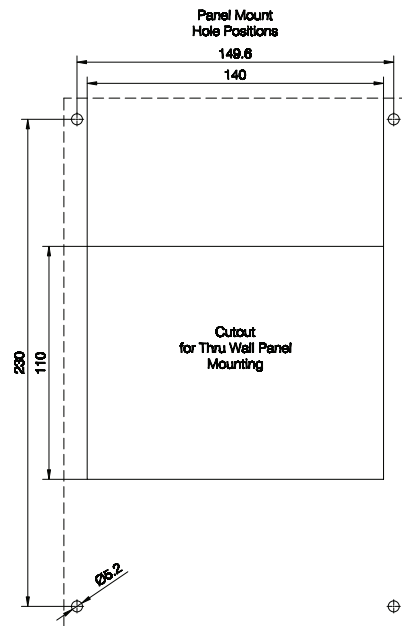
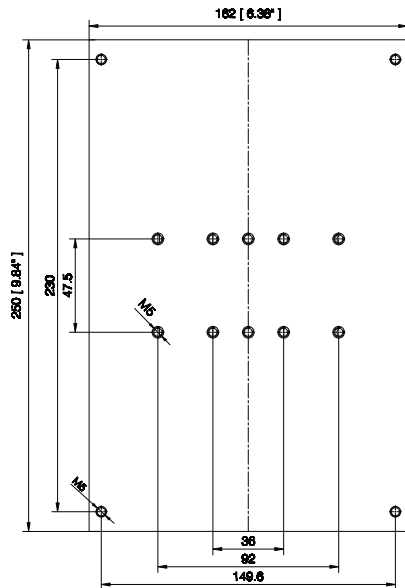


Illustration is for example only



All dimensions in mm.



## Recommended Maximum Current Rating (per SSR)

Notes:

- The below recommendations are only valid when the assembly (SSR + heatsink) is mounted as shown in the mounting instructions unless otherwise indicated.
- The indicated ratings are applicable to one SSR, one pole. Please refer to the online selector tool at [www.productselection.net](http://www.productselection.net) for different load currents, surrounding temperatures or multiple units on one heatsink.
- These recommendations are applicable only with the indicated Carlo Gavazzi thermal interface material between SSR and heatsink. In case a different thermal interface is utilised these recommendation may no longer be valid.

Thermal interface = Thermal compound, **HTS02S**

Thermal interface = Thermal pad

**KK071CUT** for 1-phase SSRs, **RGHT** for RG SSRs

1x 1-phase SSR	Surrounding temperature							
	°C °F	20 68	30 86	40 104	50 122	60 140	70 158	80 176
RD..	1	1	1	1	1	1	1	n/a
	5	5	5	5	5	5	5	n/a
RA..L RA..T	10	10	10	10	10	10	10	n/a
	25	25	25	22.5	19.5	16.5	13.5	n/a
RA..	25	25	25	25	22.5	18	14	n/a
	50	44.5	41.5	36	30	24.5	18.5	n/a
	90	59.5	55.5	47.5	39.5	31.5	23.5	n/a
	110	67	62.5	53.5	44.5	35	26	n/a
RA60..	50	44	41	36	30.5	24.5	18.5	n/a
RA2A..*	25	25	25	25	22.5	17.5	11.5	n/a
	40	34	32.5	28.5	25	19	12.5	n/a
	25M	25	25	25	22.5	17.5	11.5	n/a
	40M	35	33	29.5	25.5	19	12.5	n/a
RS1A..	10	10	10	10	9.5	7.5	5.5	n/a
	25	25	25	25	25.0	25	18	n/a
	40	40	40	40	37.5	28.5	19.5	n/a
RS1A..E	25	23	21.5	19	16	13.5	11	n/a
	40	27.5	26	22.5	19.5	16	13	n/a
RM1A.. RM1B.. RM1C..	25	25	25	25	25	25	18	n/a
	50	50	50	46.5	37.5	28.5	19.5	n/a
	75	72	67	56	45	34	23	n/a
	100	80.5	74	61.5	49	36.5	24.5	n/a
RM1A60.. RM1B60.. RM1C60.. RM1E60..	50	49	46.5	41.5	36.5	29	20	n/a
RAM1A.. RAM1B.. RM1E..	25	25	25	25	25	25	18	10
	50	50	50	46.5	37.5	28.5	19.5	10.5
	75	72	67	56	45	34	23	12.5
	100	72	67	56	45	34	23	12.5
	125	80.5	74	61.5	49	36.5	24.5	13.5
RGS1..E	25	25	25	25	25	25	25	21.5
	50	50	50	50	45	38.5	32	25.5
	51	50	50	50	44	38	32	25.5
	75	68	64.5	57	50	43	35.5	28
	90 91 92	72.5	68.5	61	53.5	45.5	38	30
RGS1..U	20	20	20	20	20	20	20	20
	30	30	30	30	30	30	30	25.5
RGS1S..E	20	23	23	23	23	23	23	n/a
	30	30	30	30	30	30	30	n/a
	31	30	30	30	30	30	30	n/a
	92	72.5	68.5	61	53.5	45.5	38	n/a
RGS1S..U	61	65	65	61	53.5	45.5	38	n/a
RGS1D..	15	15	15	15	15	15	15	15
	25	25	25	25	24.5	21.5	18	15

\* per pole

1x 1-phase SSR	Surrounding temperature							
	°C °F	20 68	30 86	40 104	50 122	60 140	70 158	80 176
RD..	1	1	1	1	1	1	1	n/a
	5	5	5	5	5	5	5	n/a
RA..L RA..T	10	10	10	10	10	10	10	n/a
	25	24	22.5	20	17.5	14.5	12	n/a
RA..	25	25	25	24.5	20.5	17	13	n/a
	50	39.5	37	32	27	21.5	16.5	n/a
	90	49.5	46	40	33.5	26.5	20	n/a
	110	55	51.5	44	36.5	29.5	22	n/a
RA60..	50	39	36.5	32	27	22	16.5	n/a
RA2A..*	25	25	25	23	20.5	17.5	12	n/a
	40	30.5	29	26	22.5	19.5	13	n/a
	25M	25	25	23	20.5	17.5	12	n/a
	40M	31.5	29.5	26.5	23.0	19.5	13	n/a
RS1A..	10	10	10	10	9	7	5	n/a
	25	25	25	25	25	21.5	15	n/a
	40	40	40	37	30	23	16	n/a
RS1A..E	25	20.5	19	16.5	14.5	12	10	n/a
	40	23.5	22	19.5	16.5	14	11.5	n/a
RM1A.. RM1B.. RM1C..	25	25	25	25	25	21.5	15	n/a
	50	47.5	44	37	30	23	16	n/a
	75	55	51	43	35	26.5	18.5	n/a
	100	60.5	56	46.5	37.5	28.5	19.5	n/a
RM1A60.. RM1B60.. RM1C60.. RM1E60..	50	43.5	41.5	37	30.5	24	16.5	n/a
RAM1A.. RAM1B.. RM1E..	25	25	25	25	25	21.5	15	8.5
	50	47.5	44	37	30	23	16	9
	75	55	51	43	35	26.5	18.5	10.5
	100	55	51	43	35	26.5	18.5	10.5
	125	60.5	56	46.5	37.5	28.5	19.5	11
RGS1..E	25	25	25	25	25	25	21	17
	50	46	44	39.5	34.5	29.5	25	20
	51	45	43	38.5	34.5	29.5	25	20
	75	51.5	49	44	38.5	33	27.5	21.5
	90 91 92	55.5	52.5	47	41.0	35.5	29.5	23.5
RGS1..U	20	20	20	20	20	20	20	17
	30	30	30	30	30	30	25	20
RGS1S..E	20	23	23	23	23	23	21	n/a
	30	30	30	30	30	29.5	25	n/a
	31	30	30	30	30	30	29.5	n/a
	92	55.5	52.5	47	41	35.5	29.5	n/a
RGS1S..U	61	55.5	52.5	47	41	35.5	29.5	n/a
RGS1D..	15	15	15	15	15	15	13.5	11
	25	23.5	22.5	20	18	16	13.5	11

## Recommended Maximum Current Rating (per SSR)

Thermal interface = Thermal compound, **HTS02S**  
Ratings per pole

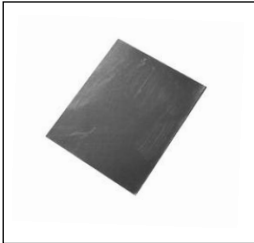
1x 3-phase SSR	Surrounding temperature							
	°C	20	30	40	50	60	70	80
	°F	68	86	104	122	140	158	176
RZ3A..	25	23.5	22	19.5	15.5	11.5	7	3
	55	32.5	30	24.5	19.5	14.5	10	5
	75	38	35	29.5	24	18.5	13	8

Thermal interface = Thermal pad, **RZHT**

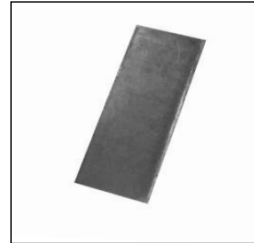
1x 3-phase SSR	Surrounding temperature							
	°C	20	30	40	50	60	70	80
	°F	68	86	104	122	140	158	176
RZ3A..	25	21.5	20	17.5	15	11.5	7	3
	55	29	27.5	24.5	20.5	15	10	5.5
	75	38.5	36	30	24.5	18.5	13.5	8

## Accessories

### Thermal Pads

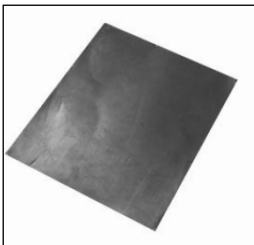


- Ordering key: **KK071CUT**
- Packing qty. 50 pcs.
- Suitable for 1-phase SSRs
- Dimensions: 35 x 43mm



- Ordering key: **RGHT**
- Packing qty. 10 pcs.
- Suitable for RG SSRs
- Dimensions: 14 x 35mm

### Thermal Pads



- Ordering key: **RZHT**
- Packing qty. 10 pcs.
- Suitable for 3-phase SSRs
- Dimensions: 70 x 77mm

### Thermal Compound



- Ordering key: **HTS02S**
- 2ml syringe of silicone based thermal compound

### Screw Kits



- Ordering key: **SRWKITM5X10MM**
- M5x10mm PZ2 screws + washers
- Packing qty. 20pcs.
- Suitable for 1-phase SSRs



- Ordering key: **SRWKITM5X30MM**
- M5x30mm Torx T20 screws + washers
- Packing qty. 20pcs.
- Suitable for RG SSRs